

INSTALLATION INSTRUCTIONS

535001 – SOLUTION TANK KIT- 17" & 20" DISK FLOOR MACHINE

TOOLS REQUIRED

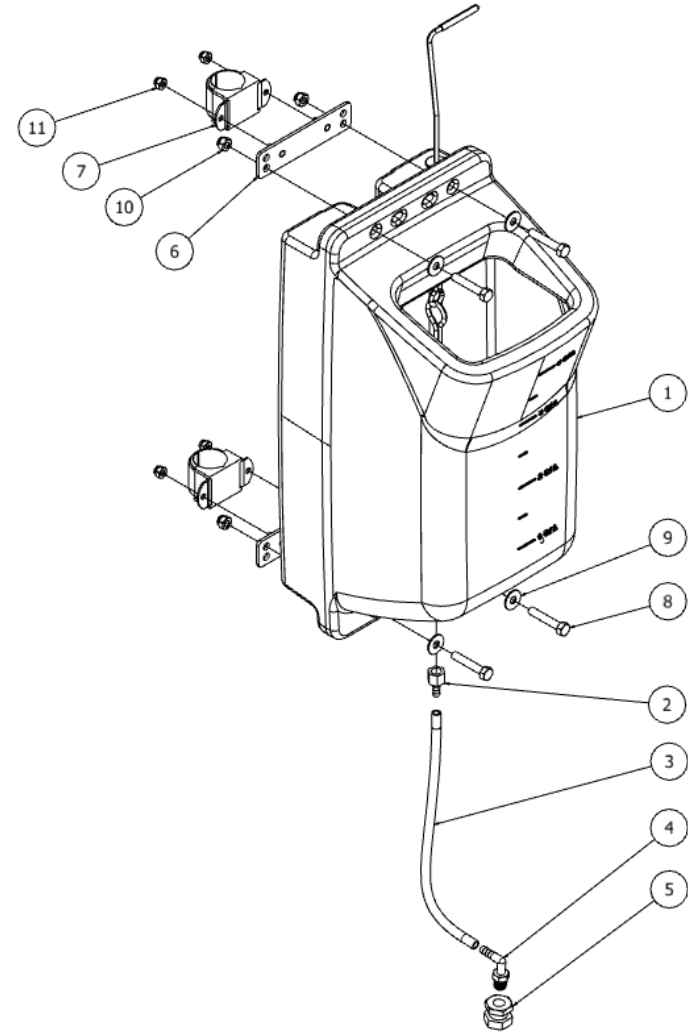
7/16" SOCKET WRENCH OR OPEN END WRENCH

1/2" SOCKET WRENCHES OR OPEN END WRENCHES – 2 REQUIRED

5/8" OPEN END WRENCH

1" OPEN END WRENCH

ITEM	SOLUTION TANK KIT	545007	QTY
1	TANK ASSY FM	548601	1
2	FITTING STR .25 FPT .25 BARB BRASS	533301	1
3	TUBING 1/4" - 11"	544105	1
4	FITTING ELBOW .25NPT .25 BARB NYL	533302	1
5	FITTING BULKEAD	T4056	1
6	PLATE ADAPTER TANK	546102	2
7	CLAMP U-SHAPED WITH RUBBER	542002	2
8	SCREW, HEX, 5/16-18X1.75,SS	962270	4
9	WASHER FLAT .31 ZINC	980007	4
10	NUT, NYLOCK, 5/16-18, ZINC	920012	4
11	NUT, NYLOCK, 1/4-20, ZINC	920011	4



INSTALLATION INSTRUCTIONS

535001 – SOLUTION TANK KIT- 17" & 20" DISK FLOOR MACHINE

STEP INSTRUCTIONS

- 1 Use hardware (items 8, 9 & 10) to attached both brackets (item 6) to the tank (item 1).
- 2 Place both clamps (item 7) on the handle of the machine.
- 3 Use nuts (item 11) to attach the tank sub-assembly to the clamps.
- 4 Ensure the tank is positioned to allow the machine handle to rest in it's fully upright position.
- 5 Assemble the bulkhead fitting (item 5) to the hole provided in the base of the machine.
- 6 Assemble the tube and fitting (items 2 & 3) to the bottom fitting on the tank.
Note: some items may need to be removed from the tank.
- 7 Connect the tube to the elbow fitting (item 4).

